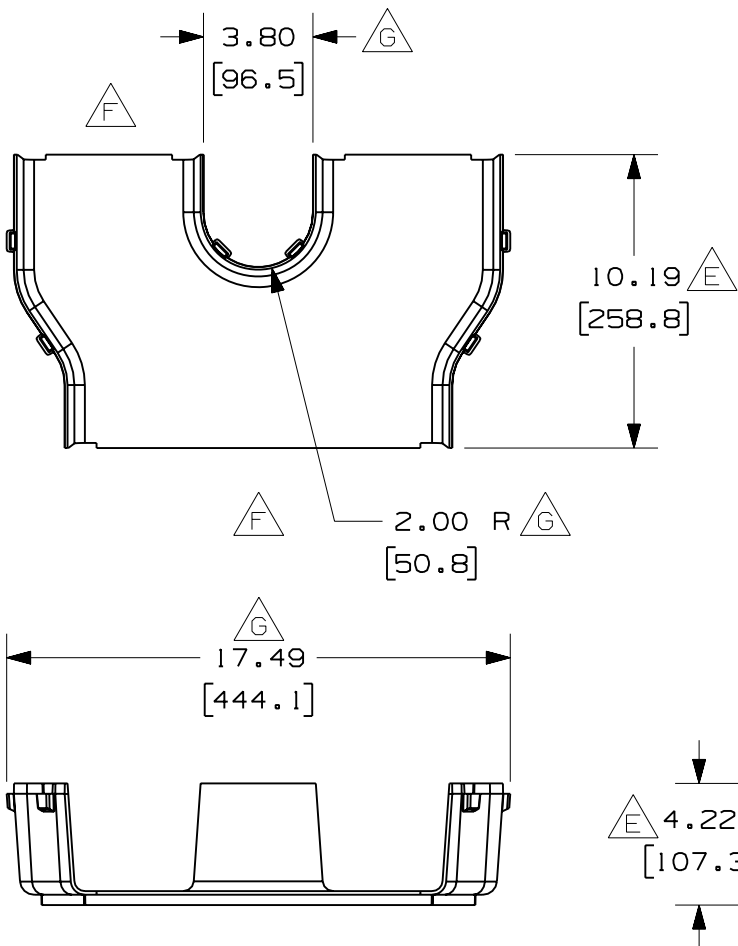


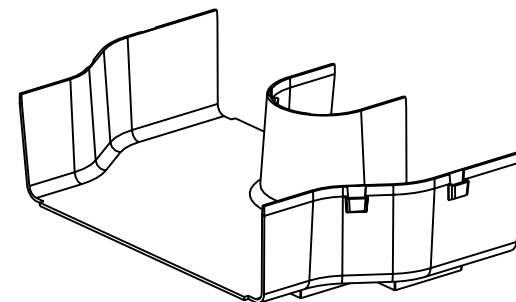
THIS COPY IS PROVIDED ON A RESTRICTED BASIS AND IS NOT TO BE USED IN ANY WAY DETRIMENTAL TO THE INTERESTS OF PANDUIT CORP.



|                     |                             |
|---------------------|-----------------------------|
| PANDUIT PART NUMBER | WEIGHT                      |
| FRY126              | 1.43 LB/EACH<br>(647g/EACH) |

**NOTES:**

1. SEE CURRENT CATALOG FOR ADDITIONAL PART SUFFIXES TO INDICATE COLOR AND/OR PACKAGE QUANTITY.
2. THE FIBERRUNNER 12x4 "Y" TRANSITION WITH 6" EXITS IS DESIGNED WITH A MINIMUM 2" (50.8) BEND RADIUS TO PROTECT FIBER OPTIC CABLES.
3. DIMENSIONS IN PARENTHESES ARE IN METRIC.



ENG. REF.: D37617DP\_DC\_FRY126\_01.prt

|   |        |   |      |
|---|--------|---|------|
| CAD FILENAME/LAYERS   |        | B FRY126.pdf  |      |
| PANDUIT CORP  |        | TINLEY PARK, ILLINOIS   |      |
| FIBERRUNNER 12x4 "Y" TRANSITION WITH 6" EXITS (FRY126)  |        | CUSTOMER DRAWING  |      |
| UNLESS OTHERWISE SPECIFIED, DIMENSIONAL TOLERANCES ARE:<br>(.X) ± (.XXX) ±<br>(.XX) ± .03 (.8) ANGLES ± |        | UNLESS OTHERWISE SPECIFIED, ALL DIMENSIONS ARE GIVEN IN INCHES, THIRD ANGLE PROJECTION. |      |
| DRAWN BY  | MAT'L: | SCALE   |      |
| JHNU  | ABS    | NONE  |      |
| DATE  |        | DRAWING NO.   | DWG  |
| 2-13-01   |        | 37617-100   | A    |
| CHK'D   |        |   | SIZE |
| HIW   |        |   |      |

|     |         |      |     |   |           |     |               |
|-----|---------|------|-----|---|-----------|-----|---------------|
| -   | -----   | ---  | --- | G. ADDED DIMENSIONS                                 | -----     | --  | --            |
| -   | -----   | ---  | --- | F. REMOVED DIMENSIONS<br>E. RELOCATED DIMENSIONS    | -----     | --  | --            |
| -   | -----   | ---  | --- | D. REVISED PART WEIGHT<br>C. REVISED GENERAL NOTES  | -----     | --  | --            |
| 1   | 7-20-06 | DTP  | RN  | B. REVISED CAD FILENAME<br>A. REVISED DRAWING TITLE | 37617-100 | RN  | RN            |
| R   | 2-13-01 | JHNU | CEO | RELEASED TO PRODUCTION                              | 37617-100 | HIW | HIW           |
| REV | DATE    | BY   | CHK | DESCRIPTION   | ECN       | R   | CUST SUP GMBH |